

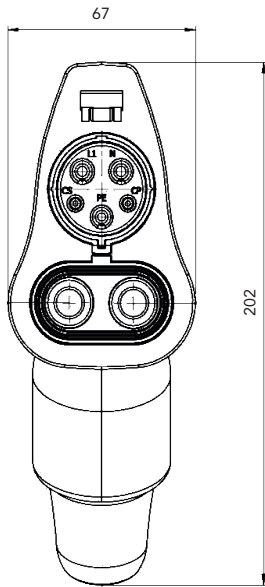
CCS1 DC FAST CHARGE CONNECTOR



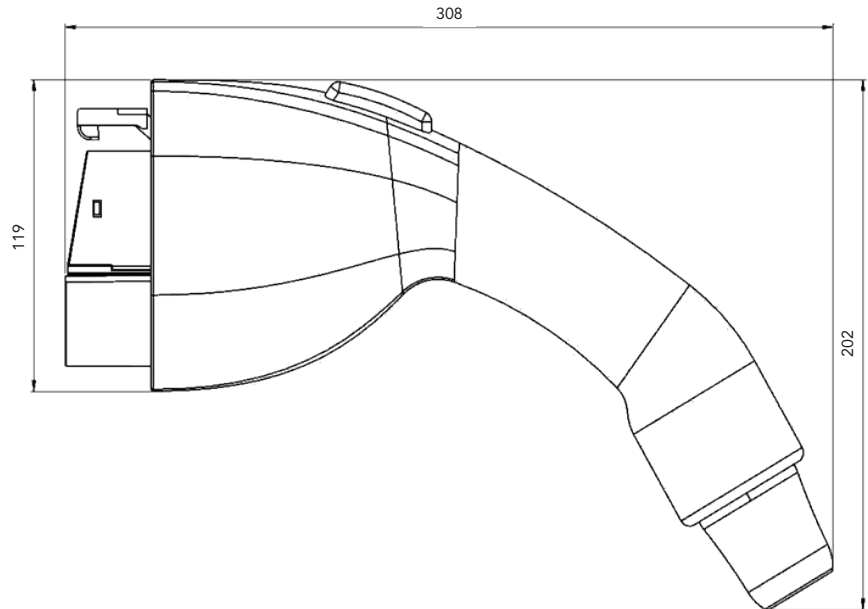
Product Features and Benefits

- > Certified compliance to Standards: IEC62196-1:2014 and IEC62196-3:2014, UL2251:2014 and SAE J1772™:2017
- > Specifically designed for use in Combined Charging System applications
- > Utilizes REMA proprietary silver plated contacts for long-life durability
- > Configurable to meet customer special requirements

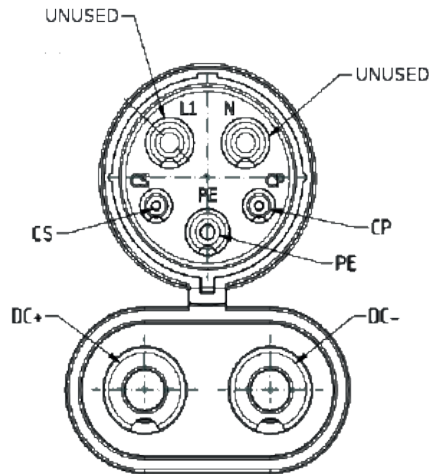
1. DIMENSIONAL DATA



CONNECTOR FRONT VIEW



CONNECTOR SIDE VIEW



CONNECTOR FRONT VIEW

2. TECHNICAL DATA

MODEL	REV-1C-65c	REV-1C-150c	REV-1C-200c
> Operating Voltage U_N	1000 V DC	1000 V DC	1000 V DC
> Current carrying capacity	65 A	150 A	200 A
> Maximum Performance	65 kW	150 kW	200 kW
> Possible Power Conductor Cross Section	8 AWG	2 AWG	1 AWG
> Possible Power Conductor Cross Section PE	8 AWG	6 AWG	6 AWG
> Conductor format	UL 62	UL 62	UL 62
> Conductor Cross Section signal contacts	4x 16 AWG	4x 16 AWG	4x 16 AWG
> Coding Resistance	480/ 150 Ω Latching lever active /passive	480/ 150 Ω Latching lever active /passive	480/ 150 Ω Latching lever active /passive
> Protection class EN 60539	IP44 ⁽¹⁾	IP44 ⁽¹⁾	IP44 ⁽¹⁾
> Temperature range	-30 °C ... +40 °C	-30 °C ... +40 °C	-30 °C ... +40 °C
> Housing material	PA66, GF25	PA66, GF25	PA66, GF25
> Lifetime	> 10.000 Cycles	> 10.000 Cycles	> 10.000 Cycles
> Cable Length (Custom lengths available upon request)	up to 7,5 m	up to 7,5 m	up to 7,5 m
> Temperature Sensor	PT 1000	PT 1000	PT 1000
> Plug mating force	< 75 N	< 75 N	< 75 N
> Contact	Conductive copper silver plated	Conductive copper silver plated	Conductive copper silver plated

STANDARDS

- > SAE J1772™
- > UL 2251:2014
- > IEC 62196-3:2014, IEC 62196-1:2014

(1) connected

- > Further technical data available on request